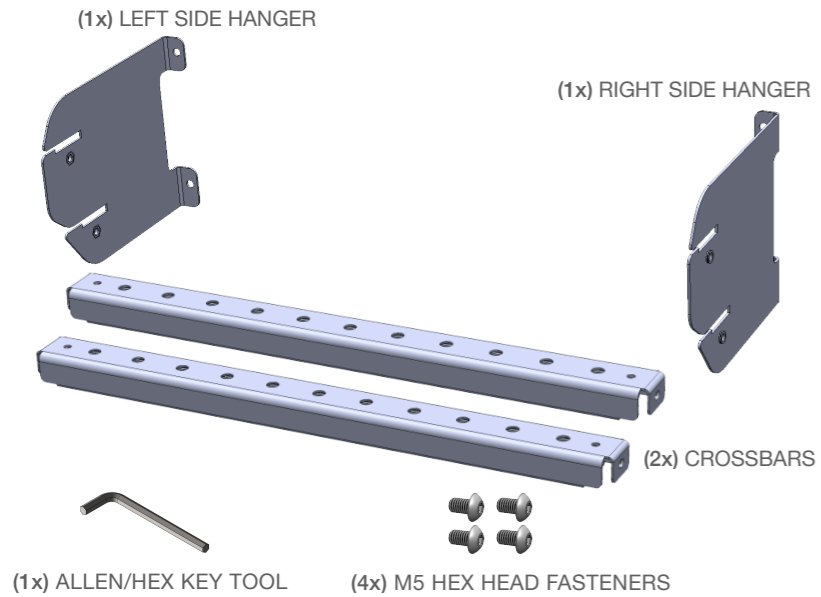
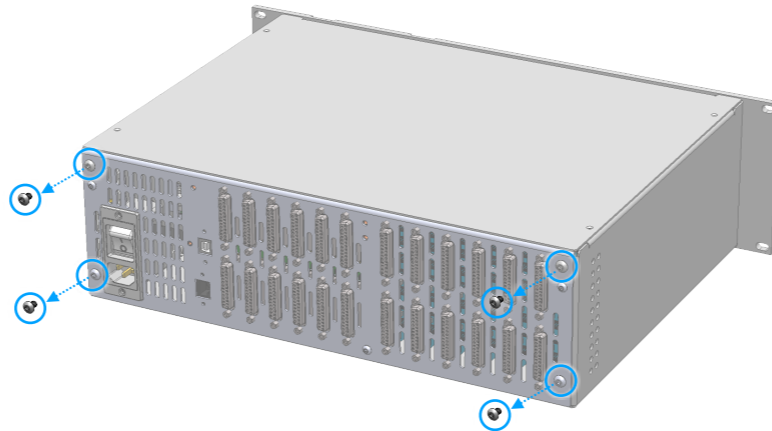


1 UNBOXING THE XTH KIT PARTS



REMOVE & IDENTIFY ALL PARTS INCLUDED IN THE XTH CABLE HANGER KIT

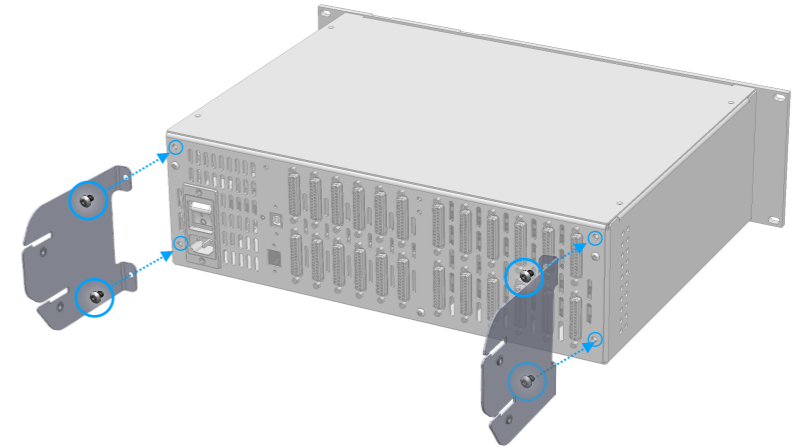
2 PREPARE THE PATCH^{XT} REAR PANEL



LOCATE & REMOVE (4x) M5 HEX SCREWS FROM THE REAR PATCH^{XT} PANEL USING THE INCLUDED ALLEN/HEX KEY TOOL

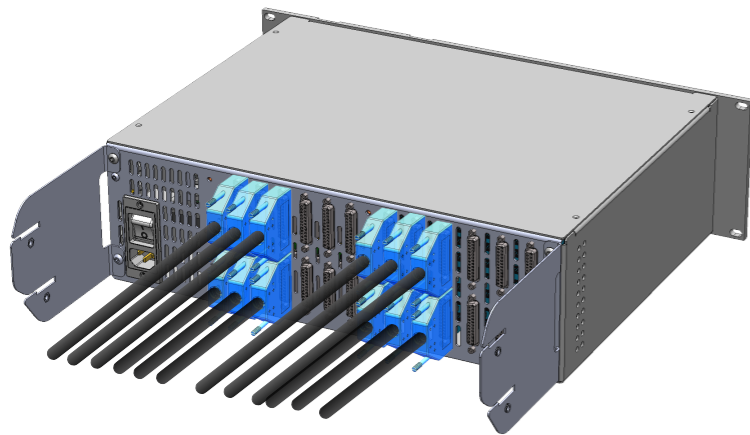
WARNING: DO NOT REMOVE ANY OTHER SCREWS

3 INSTALL THE CABLE HANGERS



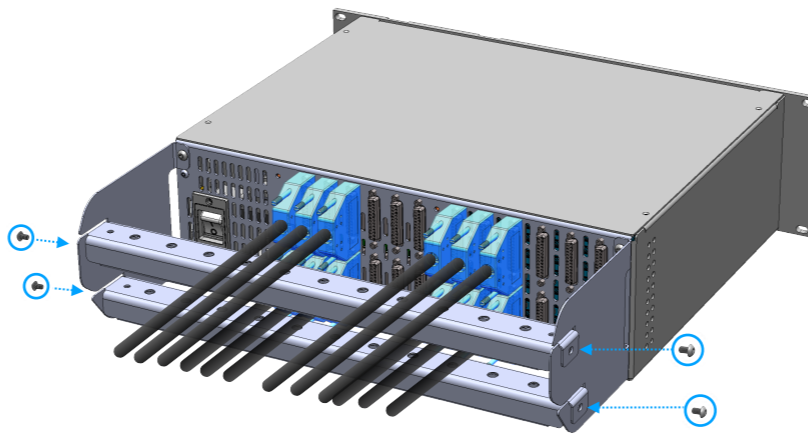
INSTALL BOTH (LEFT) & (RIGHT) XTH CABLE HANGERS ONTO THE REAR PATCH^{XT} PANEL USING THE PREVIOUSLY REMOVED (4x) M5 HEX SCREWS WITH THE INCLUDED ALLEN/HEX KEY TOOL

4 CONNECT THE DB-25/D-SUB CABLES



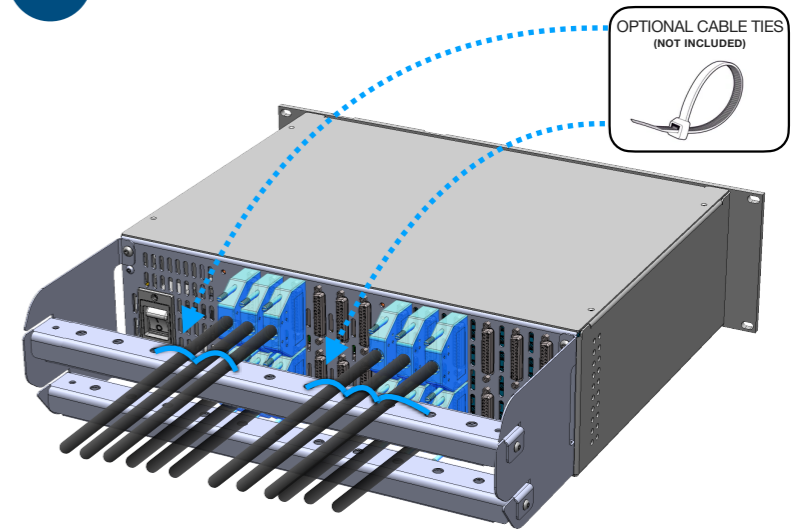
CONNECT & INSTALL ALL DB-25/D-SUB CABLE CONNECTORS TO THE REAR PATCH^{XT} PANEL **BEFORE** INSTALLING THE CROSSBARS

5 SET & INSTALL THE XTH CROSSBARS



CAREFULLY LIFT ALL DB-25/D-SUB CABLES TO SLIDE & INSTALL THE **XTH CROSSBARS** IN PLACE. ONCE LOCKED INTO PLACE SECURE THE CROSSBARS WITH THE INCLUDED M5 HEX FASTENERS USING THE ALLEN/HEX KEY TOOL

6 ADD CABLE TIE SECUREMENTS



YOUR XTH CABLE HANGER ASSEMBLY IS **COMPLETE**. (OPTIONAL) ADD CABLE TIES TO SECURE THE DB-25/D-SUB CABLES IN PLACE ON THE CROSSBARS

IMPORTANT NOTICE: DON'T FORGET TO REGISTER YOUR XTH CABLE HANGER ACCESSORY FOR WARRANTY PURPOSES: WWW.FLOCKAUDIO.COM/DOWNLOADS